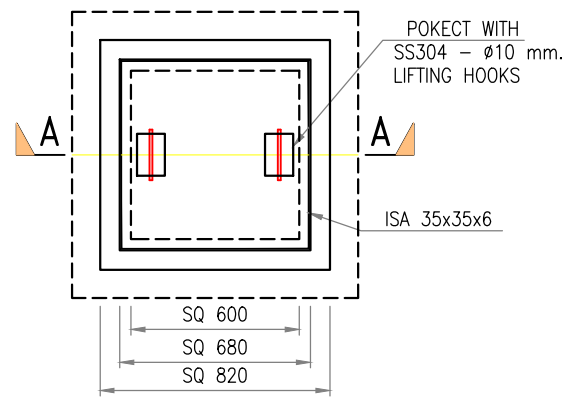
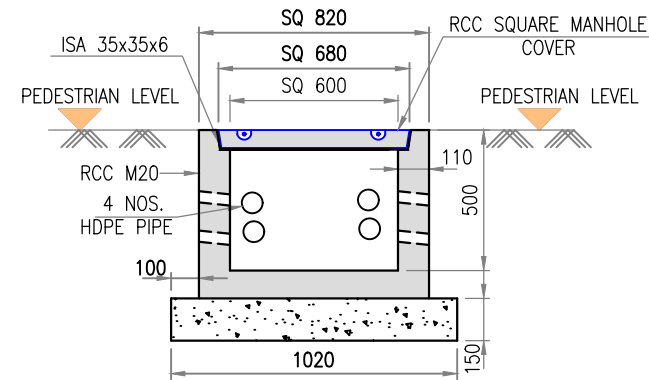


SECTION A-A

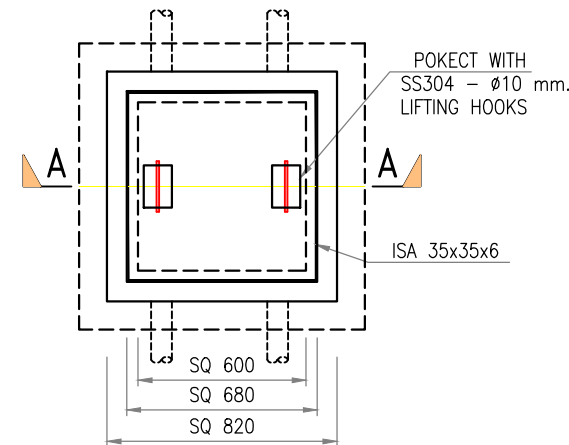


PLAN

TYPICAL PLAN & SECTION OF
FEEDER PILLAR CHAMBER
@ 80m C/C



SECTION A-A





PLAN

TYPICAL PLAN & SECTION
OF ELECTRICAL SERVICE
CHAMBER @ 10m C/C

NOTES:

1. ALL DIMENSIONS ARE IN MILLIMETERS UNLESS OTHERWISE MENTIONED.
2. ALL MANHOLES ARE RCC MATERIAL WITH M-20 GRADE.
3. STEEL REINFORCEMENT SHALL BE HYSD TESTED TOR STEEL.

PROJECT ROAD RECONSTRUCTION AND UNDER GROUND INFRASTRUCTURE DEVELOPMENT				
OWNER UJJAIN SMART CITY LIMITED (USCL), UJJAIN				
PROJECT DEVELOPEMENT MANAGEMENT CONSULTANT (PDMC) ROOM NO. 11, MELA OFFICE, KOTHI ROAD, UJJAIN, MP				
 IPE GLOBAL LIMITED. (LEAD CONSULTANT)				
 PWC CONSULTANT (ASSOCIATES CONSULTANT)				
SUB: INFRASTRUCTURE DEVELOPMENT				
TITLE: GA OF RCC FEEDER PILLAR & ELECTRICAL SERVICE CHAMBER				
DATE	DEALT	CHECKED	APPROVED	SCALE
APPROVED BY:		ISSUED BY:		
DATE :		DATE :		
DRG NO: PDMC/ABD/INFRA./TYP_GA/17				