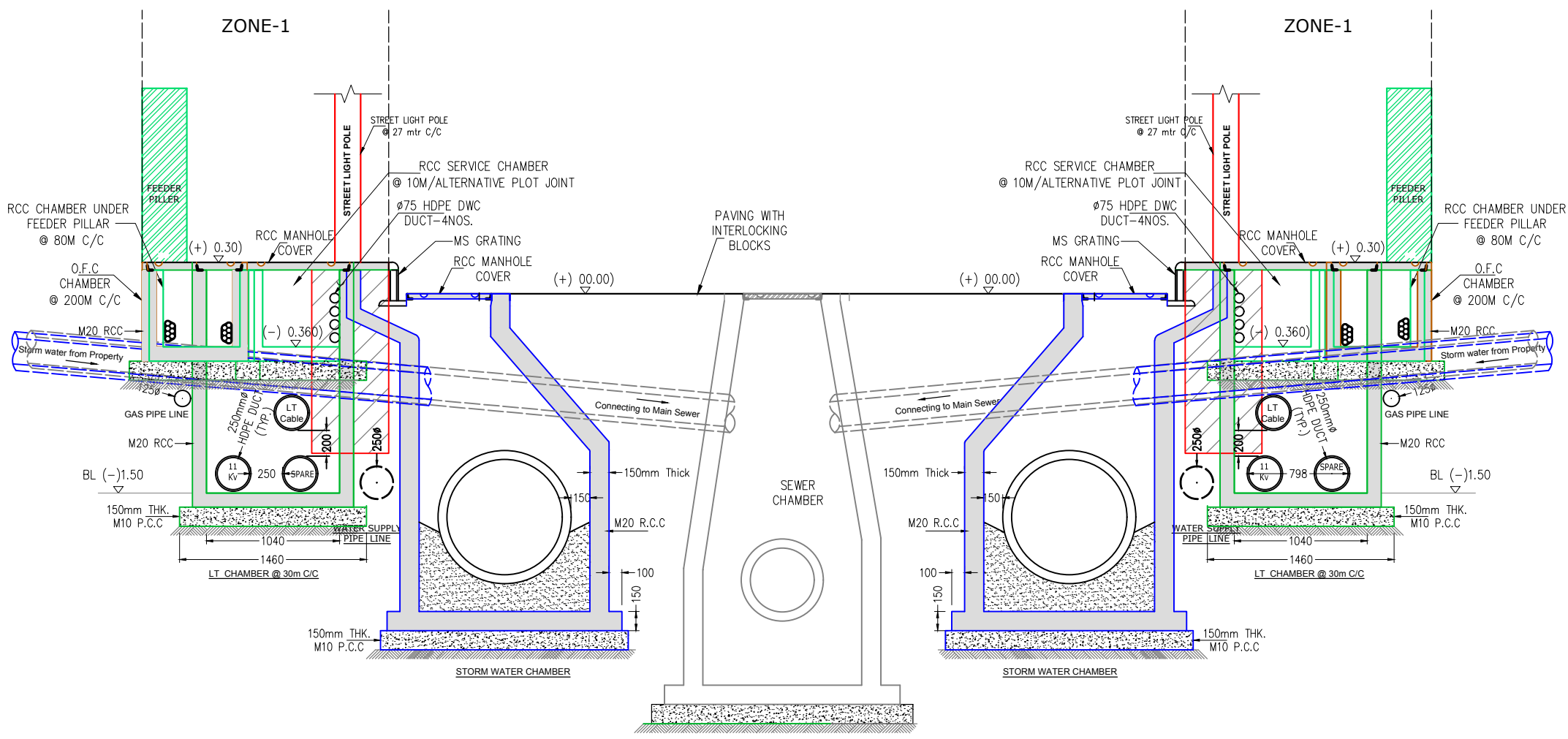


- NOTES:**
1. ALL DIMENSIONS ARE IN MILLIMETERS UNLESS OTHERWISE MENTIONED.
  2. IN ZONE-1, THERE SHALL BE A SERIES OF CHAMBER OF FEEDER PILLAR BOX, POLE FOUNDATION, LT-HT CHAMBER, OFC CHAMBER, SERVICE CHAMBER, GAS PIPE LINE, & WATER SUPPLY PIPE
  3. ALL MANHOLES AND CHAMBERS ARE IN RCC M-20 GRADE.
  4. STEEL IN RCC SHALL BE HYSD-FE 415 TESTED TOR STEEL.
  5. ALL OFC CABLE AND ELECTRICAL CABLE DUCTS (i/e HT / LT AND SERVICE CABLES DUCTS) ARE OF HDPE MATERIAL.



TYPICAL CROSS-SECTION OF SUB-SURFACE INFRASTRUCTURE DETAILS WITH HDPE DUCT PROVISIONS FOR 10 M WIDE ROADS

PROJECT				
ROAD RECONSTRUCTION AND UNDER GROUND INFRASTRUCTURE DEVELOPMENT				
OWNER				
UJJAIN SMART CITY LIMITED (USCL), UJJAIN				
PROJECT DEVELOPEMENT MANAGEMENT CONSULTANT (PDMC)				
ROOM NO. 11, MELA OFFICE, KOTHI ROAD, UJJAIN, MP				
IPE GLOBAL LIMITED. (LEAD CONSULTANT)				
PWC CONSULTANT (ASSOCIATES CONSULTANT)				
SUB: INFRASTRUCTURE DEVELOPMENT				
TITLE: TYPICAL C/S OF SUB-SURFACE INFRASTRUCTURE DETAILS WITH HDPE DUCT PROVISIONS FOR 10M WIDE ROADS				
DATE	DEALT	CHECKED	APPROVED	SCALE
APPROVED BY:	ISSUED BY:			
DATE :	DATE :			
DRG NO: PDMC/ABD/INFRA./CS/10m/10				